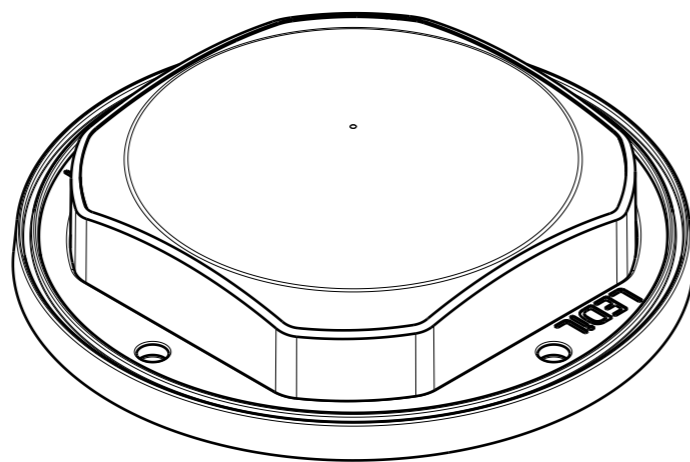


Venting pipe:
Piercing this membrane
will Allow lens breathing

Section view A-A
Scale: 5:1



Isometric view
Scale: 1:1

INDEX	PART NO	DESCRIPTION	MATERIAL	COLOUR
1	F14627	STELLA-FRESNEL	Optical grade LSR	
	F13322	STELLA-FRAME	PA66GF30	black

Tolerances if not otherwise shown
According to DIN ISO 2768-1
Linear measures: class V
Please note that due to the elasticity of
products made of silicone actual measured
values may vary, and therefore typical
tolerance values may not be applied.

LEDiL Ledil Oy
Salorankatu 10
FIN 24240 SALO
Finland

THIRD ANGLE PROJECTION:

DRAWING TITLE
FN14720_STELLA-FRESNEL

This drawing is the property
of LEDiL Oy. It may not be
reproduced, copied or
communicated without a written
agreement with LEDiL Oy.

SIZE PART NUMBER
A3 FN14720

SCALE 1:1 WEIGHT 35 g SHEET 1/1